

InGaAs camera C12741-03



The C12741-03 is an InGaAs camera with sensitivity in the near infrared region from 950 nm to 1700 nm.

It has a USB 3.0 interface port which supports 14 bit image acquisition and exposure time adjustment. This makes the C12741-03 ideal for use in a wide range of applications including internal inspection of silicon wafers and devices, laser beam alignment and evaluation of solar cells.

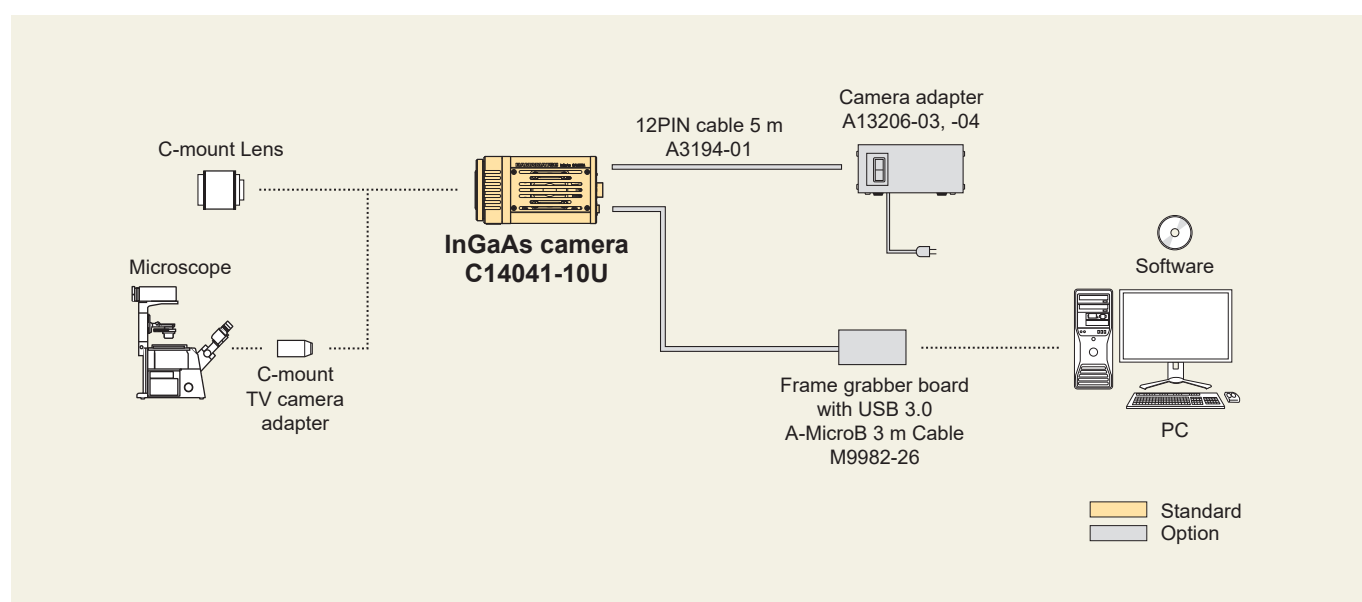
Features

- High sensitivity in the near infrared region
- 640 × 512 pixels
- Low noise and high stability with cooling
- Frame rate of approx. 60 frames/s

Applications

- Internal inspections of silicon wafers and devices
- Evaluation of solar cells
- Evaluation and analysis of optical communication devices
- EL/PL image acquisition

System Configuration



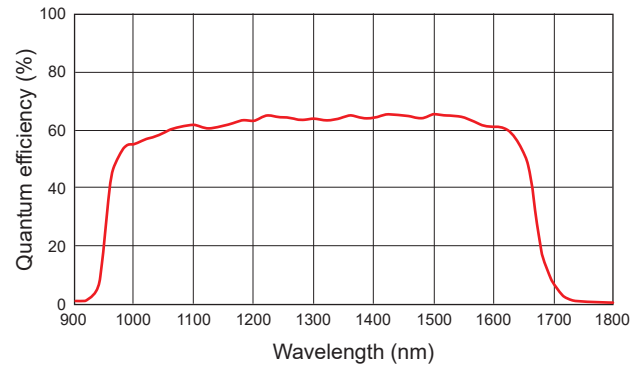
Specifications

Product number	C12741-03	
Imaging device	InGaAs sensor	
Effective number of pixels	640 (H) × 512 (V)	
Pixel size	20 μm (H) × 20 μm (V)	
Effective area	12.8 mm (H) × 10.24 mm (V)	
Cooling method	Peltier cooling	
Cooling temperature	Forced-air cooled (Ambient temperature: +25 °C)	+10 °C
Frame rate	59.774 frames/s	
Digital output	14 bit	
Exposure time	16.7 ms to 1 s	
External trigger input mode	Edge trigger, Level trigger, Start trigger	
Trigger delay function	0 s to 1 s in 10 μs steps	
Trigger input connector	SMA	
Interface	USB 3.0 *1, EIA	
Image processing functions	Background subtraction, Shading correction	
Lens mount	C-mount	
Connector	USB 3.0 microB type	
Power supply	DC +12 V	
Power consumption	Approx. 16 W	
Ambient operating temperature	0 °C to +40 °C	
Ambient operating humidity	30 % to 80 % (with no condensation)	
Ambient storage temperature	-10 °C to +50 °C	
Ambient storage humidity	90 % max. (with no condensation)	

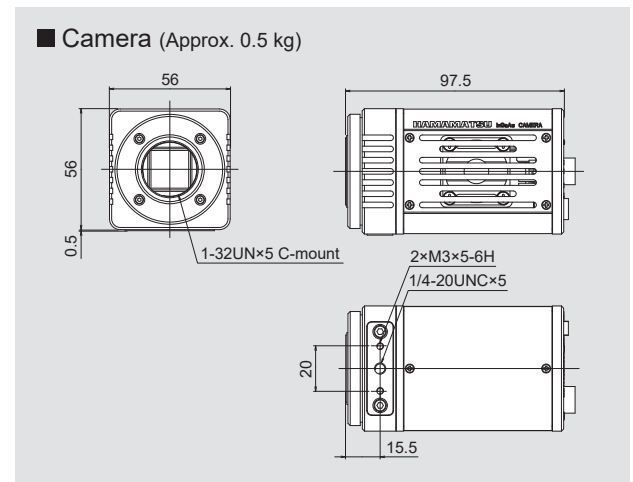
*1 Equivalent to USB 3.1 Gen 1

As the characteristics of InGaAs sensor, uneven pattern where the brightness of the pixels is different from surrounding area may appear in the image, depending on the exposure time or ambient temperature.

Spectral response



Dimensional outlines (Unit: mm)



Options

Product number	Product name
A13206-03 (for US)	Camera adapter
A13206-04 (for EU)	
A3194-01	12PIN cable 5 m
M9982-26	Frame grabber board with USB 3.0 A-MicroB 3 m Cable

- The product and software package names noted in this brochure are trademarks or registered trademarks of their respective manufacturers.
- Subject to local technical requirements and regulations, availability of products included in this brochure may vary. Please consult your local sales representative.
- The product described in this brochure is designed to meet the written specifications, when used strictly in accordance with all instructions.
- The spectral response specified in this brochure is typical value and not guaranteed.
- Specifications and external appearance are subject to change without notice.

©2024 Hamamatsu Photonics K.K.

HAMAMATSU PHOTONICS K.K. www.hamamatsu.com

Systems Division

812 Joko-cho, Chuo-ku, Hamamatsu City, 431-3196, Japan, Telephone: (81)53-431-0124, Fax: (81)53-433-8031, E-mail: export@sys.hpk.co.jp

U.S.A.: HAMAMATSU CORPORATION: 360 Foothill Road, Bridgewater, NJ 08807, U.S.A., Telephone: (1)908-231-0960, Fax: (1)908-231-1218

Germany: HAMAMATSU PHOTONICS DEUTSCHLAND GMBH: Arzbergerstr. 10, 82211 Herrsching am Ammersee, Germany, Telephone: (49)8152-375-0, Fax: (49)8152-265-8 E-mail: info@hamamatsu.de

France: HAMAMATSU PHOTONICS FRANCE S.A.R.L.: 19 Rue du Saule Trapu, Parc du Moulin de Massy, 91882 Massy Cedex, France, Telephone: (33)1 69 53 71 00, Fax: (33)1 69 53 71 10 E-mail: infos@hamamatsu.fr

United Kingdom: HAMAMATSU PHOTONICS UK LIMITED: 2 Howard Court, 10 Tewin Road, Welwyn Garden City, Hertfordshire, AL7 1BW, UK, Telephone: (44)1707-294888, Fax: (44)1707-325777 E-mail: info@hamamatsu.co.uk

North Europe: HAMAMATSU PHOTONICS NORDEN AB: Torshamnsgatan 35 16440 Kista, Sweden, Telephone: (46)8-509 031 00, Fax: (46)8-509 031 01 E-mail: info@hamamatsu.se

Italy: HAMAMATSU PHOTONICS ITALIA S.R.L.: Strada della Moia, 1 int. 6, 20044 Arese (Milano), Italy, Telephone: (39)02-93 58 17 33, Fax: (39)02-93 58 17 41 E-mail: info@hamamatsu.it

China: HAMAMATSU PHOTONICS (CHINA) CO., LTD.: 1201 Tower B, Jiaming Center, 27 Dongsanhuan Beilu, Chaoyang District, 100020 Beijing, P.R. China, Telephone: (86)10-6586-6006, Fax: (86)10-6586-2866 E-mail: hpc@hamamatsu.com.cn

Taiwan: HAMAMATSU PHOTONICS TAIWAN CO., LTD.: 13F-1, No.101, Section 2, Gongdao 5th Road, East Dist., Hsinchu City, 300046, Taiwan(R.O.C.), Telephone: (886)3-659-0080, Fax: (886)3-659-0081 E-mail: info@hamamatsu.com.tw

Cat. No. SCAS0111E08
JAN/2024 HPK
Created in Japan