

▶ **Scanning Stage SCAN 130 x 85** for Olympus BX41 / BX51 / BX61

Travel range:	130 x 85 mm
Repeatability:	< 1 µm (bi-directional, measured according to VDI / DGQ 3441)
Accuracy:	+/- 3 µm (measured according to VDI / DGQ 3441)
Resolution:	0,01 µm (smallest step size)
Orthogonality:	< 10 arc sec
Motor:	2-phase stepper motor
Max. travel speed:	60 mm/s, with 1 mm ball screw pitch 120 mm/s, with 2 mm ball screw pitch 240 mm/s, with 4 mm ball screw pitch
Limit switches:	continuously adjustable optical light beam
Material:	aluminium
Surface:	anodic coating, black laquered
Weight:	4,600 g

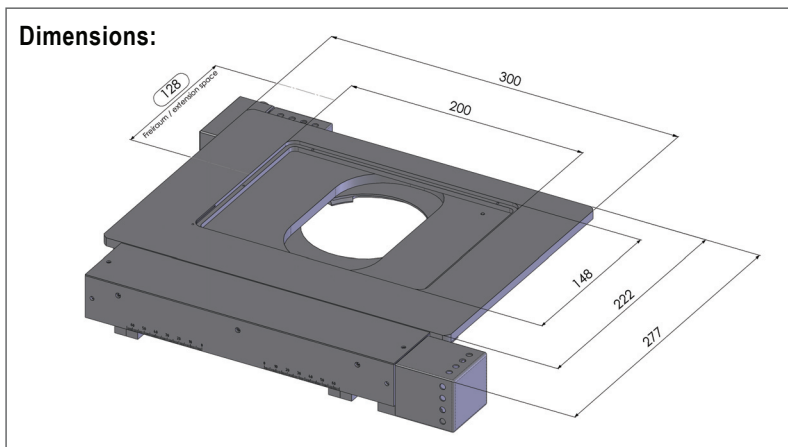
Order Information

Order No.: 48-24-527-0000, 1 mm ball screw pitch
 Order No.: 48-24-528-0000, 2 mm ball screw pitch
 Order No.: 48-24-529-0000, 4 mm ball screw pitch

Product Features

- ▶ exchangeable stage inserts for different kinds of applications, also for micro titer plates or 4 slides
- ▶ user-friendly design due to lowered motor axis
- ▶ **5 years guarantee**, if the scanning stage is operated in the system with the Märzhäuser TANGO controller!
- ▶ continuously adjustable optical light beam for individual travel range limitation
- ▶ optional available with measuring system

Dimensions:



Accessories

For accessories please refer to:
www.marzhauser.com